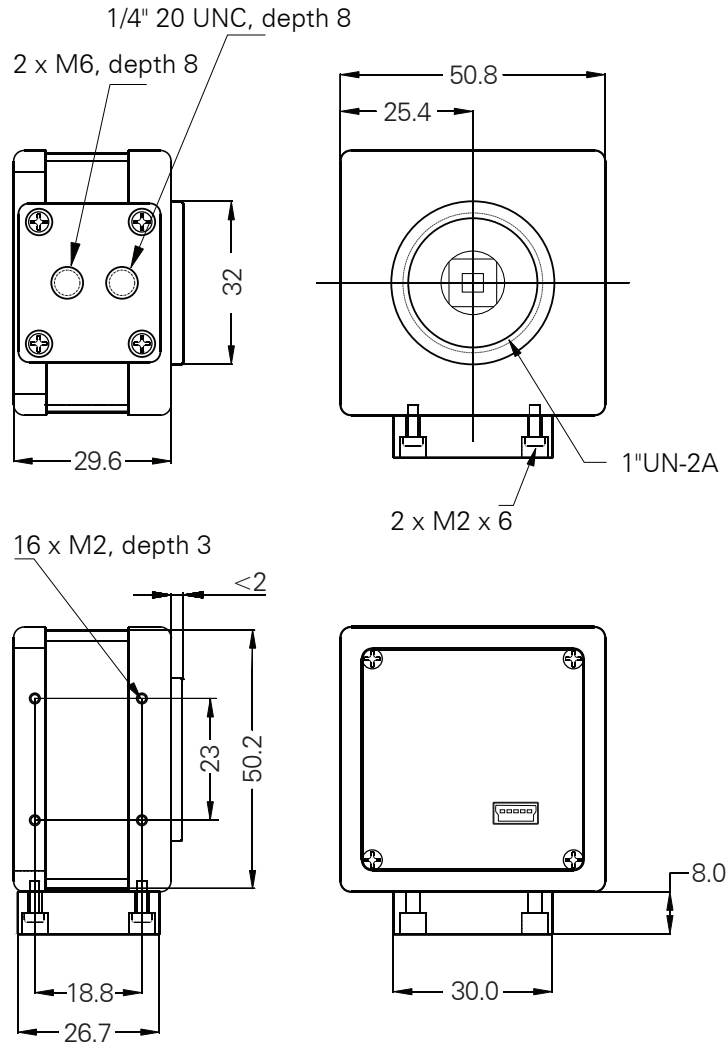


USB CMOS Cameras

Dimensions



Dimensions: mm
Tolerances: DIN ISO 2768m



Headquarters: The Imaging Source Europe GmbH
Sommerstrasse 36, D-28215 Bremen, Germany
Phone: +49 421 33591-0

North & South America: The Imaging Source, LLC
6926 Shannon Willow Rd, S 400, Charlotte, NC 28226, USA
Phone: +1 704-370-0110

Asia Pacific: The Imaging Source Taiwan Co. Ltd.
6F c-3, No. 58, Jhouzih Street, Taipei City 114, Taiwan
Phone: +886 2-2797-8508

www.theimagingsource.com

All product and company names in this document may be trademarks and tradenames of their respective owners and are hereby acknowledged.

The Imaging Source Europe GmbH cannot and does not take any responsibility or liability for any information contained in this document. The source code presented in this document is exclusively used for didactic purposes. The Imaging Source does not assume any kind of warranty expressed or implied, resulting from the use of the content of this document or the source code.

The Imaging Source Company reserves the right to make changes in specifications, function or design at any time and without prior notice.

Last update: July 2008
Copyright © 2005 The Imaging Source Europe GmbH
All rights reserved. Reprint, also in parts, only allowed with permission of The Imaging Source Europe GmbH.

All weights and dimensions are approximate.